



PECO Fluid Filter Assembly



Contact us at:
www.pecopage.com

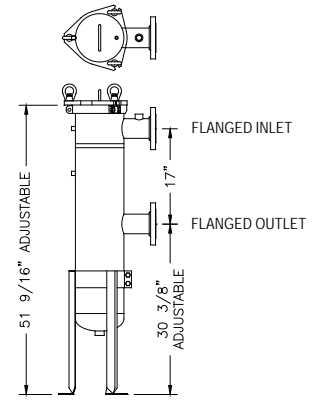
PH. (616) 784-7636
(800) 245-1961

Process Engineering & Equipment Company

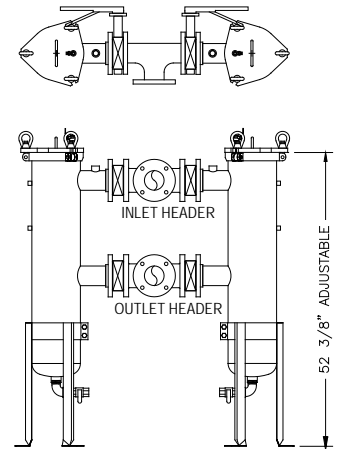
FILTER CAPACITIES, DIMENSIONS AND WEIGHTS

OPTIMUM FLOW	MAXIMUM FLOW	NUMBER OF HOUSINGS	PIPE SIZE	DIMENSIONS			
				A	WT	B	WT
150	250	1	3"	-	115#	-	-
200	250	2	3"	-	-	-	375#
200	400	2	4"	-	-	-	425#
300	400	3	4"	38.75"	800#	14.38"	810#
400	400	4	4"	53.13"	1000#	14.38"	1000#
450	750	3	6"	38.75"	900#	14.38"	875#
600	900	4	6"	53.13"	1100#	14.38"	1150#
750	900	5	6"	67.50"	1300#	38.75"	1275#
600	1000	4	8"	53.13"	1250#	14.38"	1225#
750	1250	5	8"	67.50"	1475#	38.75"	1400#
900	1500	6	8"	81.88"	1700#	38.75"	1550#
1050	1750	7	8"	96.25"	1950#	53.13"	1800#
1200	1800	8	8"	110.63"	2225#	53.13"	1950#
1350	1800	9	8"	125"	2450#	67.50"	2175#
1500	1800	10	8"	139.38"	2675#	67.50"	2325#
1200	2000	8	10"	110.63"	2500#	53.13"	2125#
1350	2250	9	10"	125"	2750#	67.50"	2375#
1500	2500	10	10"	139.38"	3050#	67.50"	2575#
1650	2750	11	10"	153.75"	3300#	53.13"	2825#
1800	3000	12	10"	168.13"	3600#	53.13"	3000#

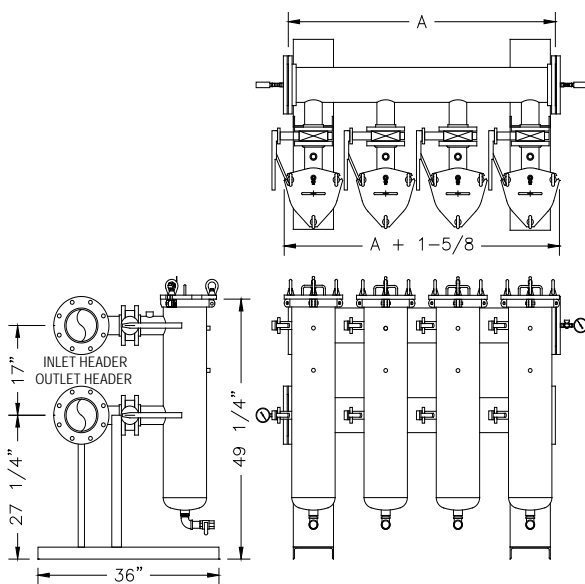
Flow capacity subject to particulate concentration, size, media selected and acceptable pressure drop through filter bank.



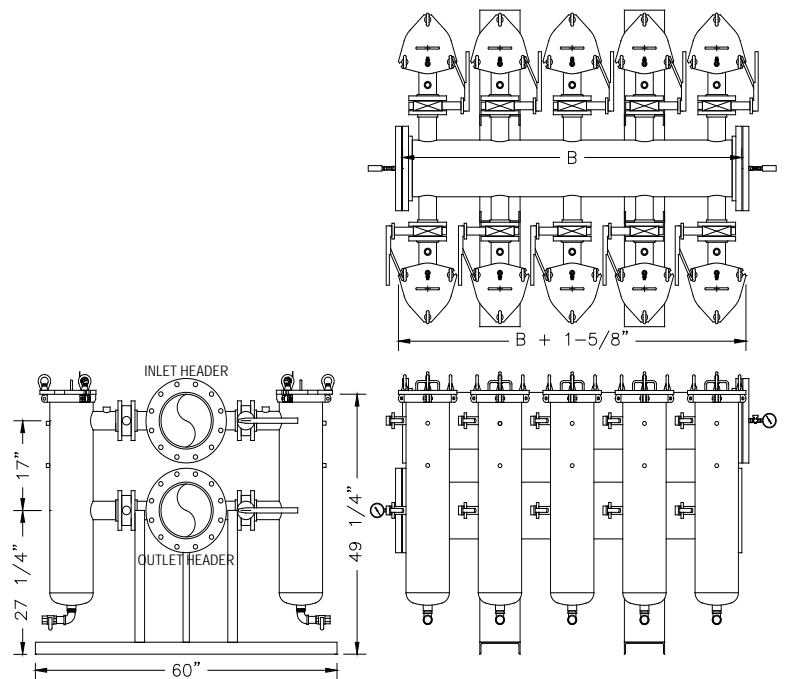
SINGLE FILTER



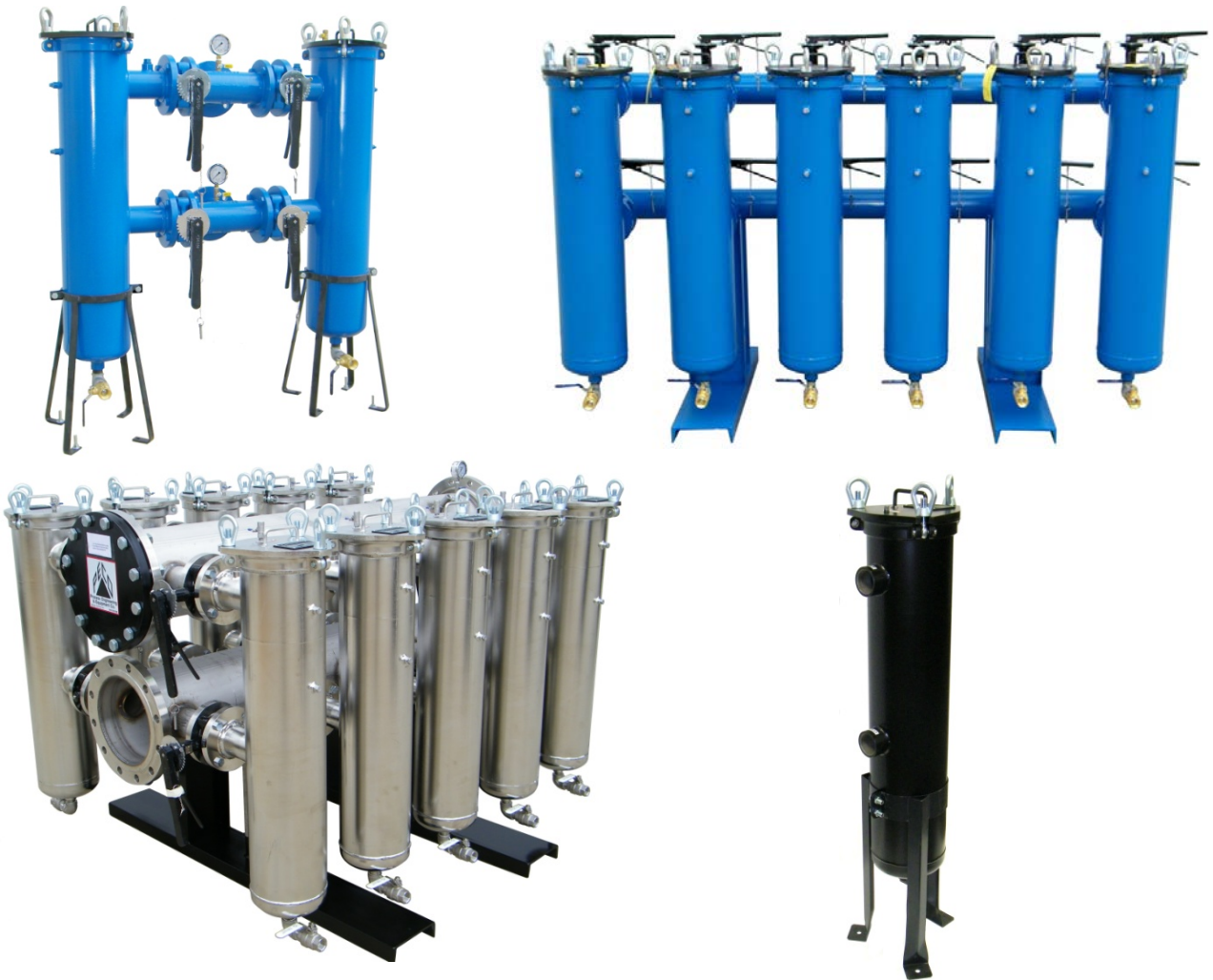
DOUBLE FILTER



MULTI-FILTER SINGLE BANK



MULTI-FILTER DOUBLE BANK



MATERIALS OF CONSTRUCTION

	STANDARD	OPTIONAL		STANDARD	OPTIONAL
Housing	Carbon Steel	304L Stainless Steel 316L Stainless Steel	Butterfly Valves (optional on single filters)	316 SS / EPDM Seat	316 ss / Teflon Seat
	Non ASME	ASME Code Stamp			
Basket	9/64" perforations	Mesh Lined Strainer Basket	Drain & Vent Valves (optional on single filters)	Bronze / Brass	304 Stainless Steel 316 Stainless Steel
Cover & Basket Seal	Buna	EPR	Pressure Gauge	Bronze / Brass	304 Stainless Steel 316 Stainless Steel
		Viton			
		Teflon Encapsulated Viton			
		Solid Teflon			
		Food Grade	Differential Pressure Switch	None	Brass Internals 316L SS Internals
Header Piping	Carbon Steel	304 Stainless Steel 316L Stainless Steel	Alarm Panel	None	Flashing Beacon Beacon & Audible Alarm

PECO MULTI-HOUSING FILTER ASSEMBLY FEATURES & BENEFITS

PLACEMENT

Locate the filter bank on a dry level surface. If such a surface is not available, level the filter bank and grout beneath it. Adequate service space must be allowed across the front of the filter vessels. A minimum of 36" is recommended for filter maintenance. Anchor the filter bank securely to the floor.

PIPING

The filter bank is designed with flanged connections that allow inlet and outlet piping to connect to either end of the headers. The fluid flowing to the filter bank must be piped to the upper header. The fluid leaving the filter bank must be piped from the lower header. Use the blind flanges provided to block off the unused end of each header. Piping to and from the filter bank must be independently supported.

FLUID COMPATABILITY

The fluid supplied to the filter bank must be compatible with the filter bank's materials of construction. The maximum pressure supplied to the filter bank must not exceed 125 psig.

DRAIN & BLEED VALVE PIPING

Each multi-filter housing is equipped with a 1" NPT drain valve and a ¼" NPT valve in the top of each filter.

GAUGES / PRESSURE SWITCH

Pressure gauges are provided on both the supply and return headers. They can be used to determine if the filters need to be changed. Clean filters will typically produce a 0-3 psi differential reading between the two gauges. When the difference in reading on the two gauges reaches 10 psi, the filters should be changed. Follow the filter change procedure provided with the filter bank. An optional pressure differential switch is available that will provide a dry contact closure when the pressure drop across the filters reaches 10 psi. This can be tied into an alarm, indicator light, plc or building management system. The contacts are rated at 15 A 125/250/480 VAC resistive.

FILTER MEDIA

Process Engineering & Equipment Company offers a wide variety of filter media for your filter bank. Ranging from throwaway to cleanable, coarse filtration to sub micron and materials that are compatible with most fluids. When cleaning up a dirty process loop it may be desirable to begin with coarser filters and as the system is cleaned up, replace them with finer filters.

REPLACEMENT PARTS

PECO filter assemblies are designed to provide years of dependable operation. A wide variety of filter media and replacement parts are available for immediate shipment

Process systems operate *most efficiently* when clean.
Contact us for all your cooling system filtration needs.

Process Engineering & Equipment Company

571 6 Mile Road N.W.
Comstock Park, MI 49321
Phone (616) 784-7636
(800) 245-1961
Fax (616) 784-5436
www.pecopage.com

